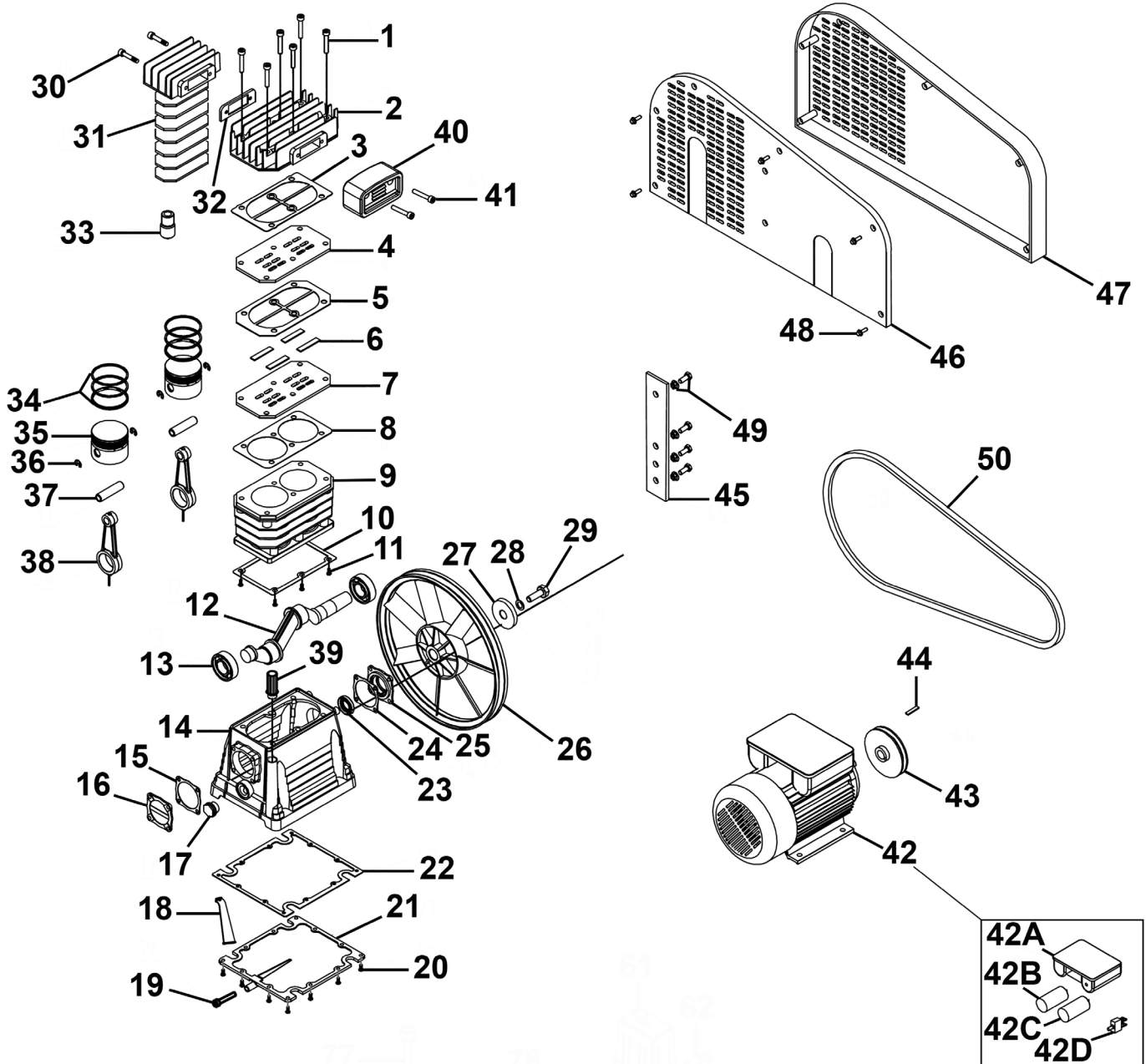




Parts Information:
Belt Drive Air Compressor with Cast
Cylinders & Wheels 3.5hp
Model No: SAC1103B.V2, SAC1153B.V2,
SAC1203B.V2 SAC1503B.V2



NOTE: It is our policy to continually improve products and as such we reserve the right to alter data, specifications and component parts without prior notice. There may be alternative versions of this product, please contact us should you require this information.

IMPORTANT: No liability is accepted for incorrect use of product. Spare parts must be fitted by a competent person

WARRANTY: Guarantee is 12 months from purchase date, proof of which will be required for any claim.

Sealey Group, Kempson Way, Suffolk Business Park, Bury St Edmunds, Suffolk. IP32 7AR



01284 757500



sales@sealey.co.uk



www.sealey.co.uk



Parts Information:
**Belt Drive Air Compressor with Cast
Cylinders & Wheels 3.5hp
Model No: SAC1103B.V2, SAC1153B.V2,
SAC1203B.V2 SAC1503B.V2**

Item	Part No.	Description	Qty
1	SAC1203B-V2-01	Cylinder Head Bolt	16
2	SAC1203B-V2-02	Cylinder Head	1
3	SAC1203B-V2-03	Gasket Seal for Cylinder Head	1
4	SAC1203B-V2-04	Valve Plate (Upper)	1
5	SAC1203B-V2-05	Copper Gasket for Valve Plate	1
6	SAC1203B-V2-06	Valve Reed	4
7	SAC1203B-V2-07	Valve Plate (Lower)	1
8	SAC1203B-V2-08	Gasket for Valve Plate	1
9	SAC1203B-V2-09	Cylinder	1
10	SAC1203B-V2-10	Sealing Gasket for Cylinder	1
11	SAC1203B-V2-11	Fixing Bolt for Cylinder	6
12	SAC1203B-V2-12	Crankshaft	1
13	B/6205	Bearing 6205	2
14	SAC1203B-V2-14	Crankcase	1
15	SAC1203B-V2-15	Sealing Gasket for Crankcase (A)	2
16	SAC1203B-V2-16	End Cover for Crankcase (A)	1
17	SAC1203B-V2-17	Oil Level	1
18	SAC1203B-V2-18	Steel Plate	1
19	SAC1203B-V2-19	Oil Drain Bolt	1
20	SAC1203B-V2-20	Fixing Bolt for Bottom Base	12
21	SAC1203B-V2-21	Bottom Base	1
22	SAC1203B-V2-22	Rubber Gasket for Bottom Base	1
23	SAC1203B-V2-23	Shaft Seal	1
24	SAC1203B-V2-24	Sealing Gasket for Crankcase (B)	1
25	SAC1203B-V2-25	End Cover for Crankcase (B)	1
26	SAC1203B-V2-26	Flywheel	1
27	SAC1203B-V2-27	Washer For Flywheel	1

Item	Part No.	Description	Qty
28	SAC1203B-V2-28	Spring Washer	1
29	SAC1203B-V2-29	Fixing Bolt for Flywheel	1
30	SAC1203B-V2-30	Fixing Bolt for Aftercooler	2
31	SAC1203B-V2-31	Aftercooler	1
32	SAC1203B-V2-32	Sealing Gasket for Aftercooler	1
33	SAC1203B-V2-33	Reducer Pipe	1
34	SAC1203B-V2-34	Piston Ring Set 65mm	2
35	SAC1203B-V2-35	Piston 65mm	2
36	SAC1203B-V2-36	Circlip for Piston Pin	4
37	SAC1203B-V2-37	Piston Pin for Piston	2
38	SAC1203B-V2-38	Con-rod	2
39	SAC1203B-V2-39	Oil Breather	1
40	SAC1203B-V2-40	Plastic Air Filter	1
41	SAC1203B-V2-41	Fixing Bolt for Air Filter	2
42	SAC1203B-V2-42	Electric Motor 3.5Hp	1
42A	SAC1203B-V2-42A	Terminal Box Cover	1
42B	SAC1203B-V2-42B	Capacitor	1
42C	SAC1203B-V2-42C	Capacitor	1
42D	SAC1203B-V2-42D	Overload Protection	1
43	SAC1203B-V2-43	Motor Pulley 115mm	1
44	SAC1203B-V2-44	Lock Pin for Motor Pulley	1
45	SAC1203B-V2-45	Metal Support for Belt Guard	1
46	SAC1203B-V2-46	Pulley Belt Guard (Plastic - Inside)	1
47	SAC1203B-V2-47	Pulley Belt Guard (Plastic - Outside)	1
48	SAC1203B-V2-48	Lock Bolt for Belt Guard Cover	6
49	SAC1203B-V2-49	Fixing Bolt for Metal Support	4
50	SAC1203B-V2-50	V-Belt (A1219)	1

NOTE: It is our policy to continually improve products and as such we reserve the right to alter data, specifications and component parts without prior notice. There may be alternative versions of this product, please contact us should you require this information.

IMPORTANT: No liability is accepted for incorrect use of product. Spare parts must be fitted by a competent person

WARRANTY: Guarantee is 12 months from purchase date, proof of which will be required for any claim.

Sealey Group, Kempson Way, Suffolk Business Park, Bury St Edmunds, Suffolk. IP32 7AR



01284 757500



sales@sealey.co.uk

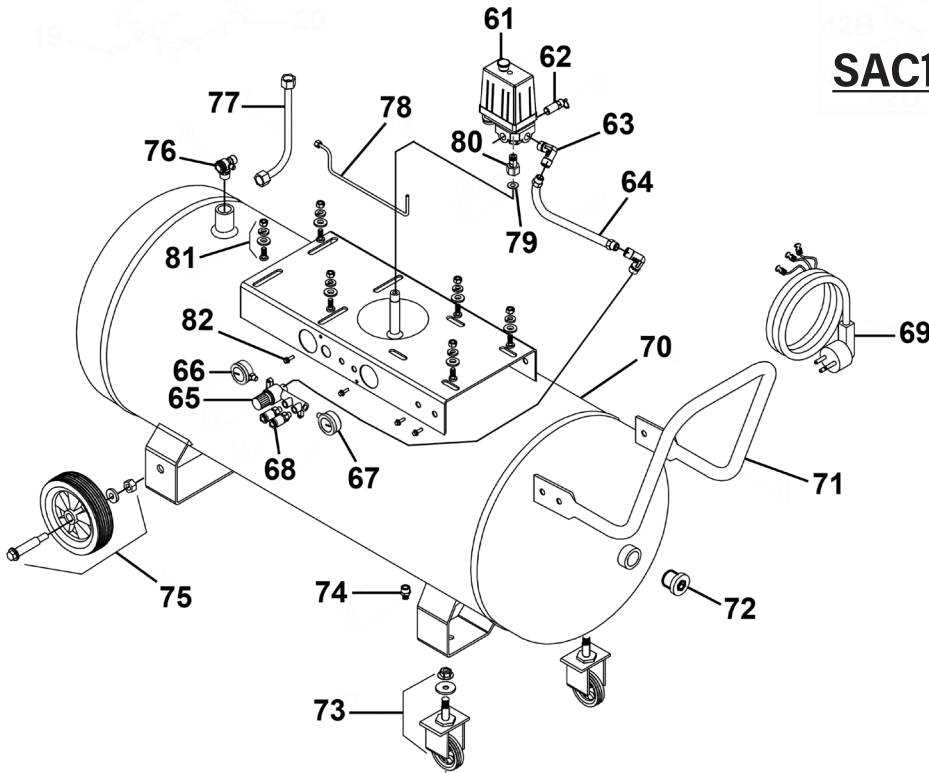


www.sealey.co.uk



Parts Information:
Belt Drive Air Compressor with Cast
Cylinders & Wheels 3.5hp
Model No: SAC1103B.V2, SAC1153B.V2,
SAC1203B.V2 SAC1503B.V2

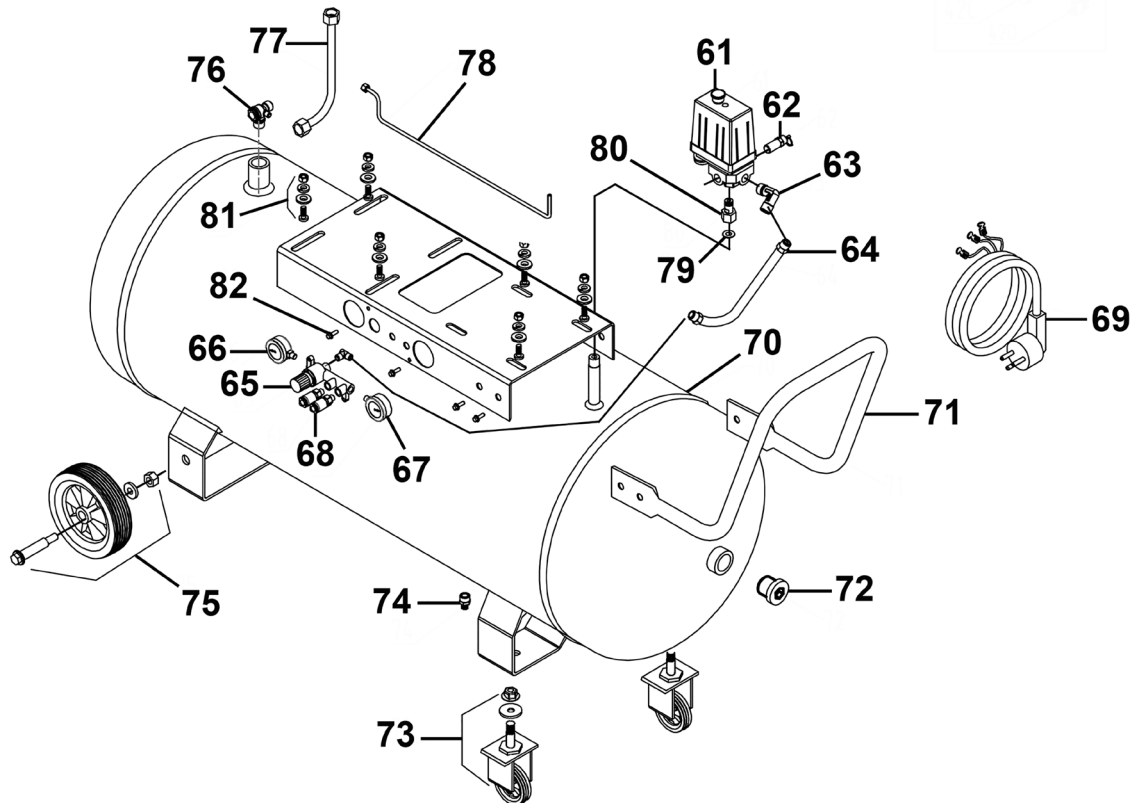
SAC1503B.V2



SAC1103B.V2

SAC1153B.V2

SAC1203B.V2



NOTE: It is our policy to continually improve products and as such we reserve the right to alter data, specifications and component parts without prior notice. There may be alternative versions of this product, please contact us should you require this information.

IMPORTANT: No liability is accepted for incorrect use of product. Spare parts must be fitted by a competent person

WARRANTY: Guarantee is 12 months from purchase date, proof of which will be required for any claim.

Sealey Group, Kempson Way, Suffolk Business Park, Bury St Edmunds, Suffolk. IP32 7AR



01284 757500



sales@sealey.co.uk



www.sealey.co.uk



Parts Information:
**Belt Drive Air Compressor with Cast
 Cylinders & Wheels 3.5hp
 Model No: SAC1103B.V2, SAC1153B.V2,
 SAC1203B.V2 SAC1503B.V2**

Item	Part No.	Description	Qty
61	SAC1203B-V2-61	Pressure Switch	1
62	SAC1203B-V2-62	Safety Valve 1/4" 9Bar	1
63	SAC1203B-V2-63	Elbow	2
64	SAC1203B-V2-64	Air Hose	1
65	SAC1203B-V2-65	Manifold Regulator	1
66	SAC1203B-V2-66	Pressure Gauge 50mm 0-8-12Bar	1
67	SAC1203B-V2-67	Regulator Gauge 50mm 0-8-12Bar	1
68	SAC1203B-V2-68	Quick Coupler	2

Item	Part No.	Description	Qty
69	SAC1203B-V2-69	Power Cord 1.3m 1.5mm2	1
72	SAC1203B-V2-72	Tank Plug 1" (with Sealing Ring)	2
74	SAC1203B-V2-74	Drain Valve	1
76	SAC1203B-V2-76	Non-Return Valve	1
79	SAC1203B-V2-79	Sealing Gasket	1
80	SAC1203B-V2-80	Connecting Stud	1
81	SAC1203B-V2-81	Fixing Bolt & Nut for Pump	8
82	SAC1203B-V2-82	Lock Bolt for U-Type Handle	4

SAC1503B.V2

Item	Part No.	Description	Qty
70	SAC1503B-V2-70	Tank 50ltr	1
71	SAC1503B-V2-71	Tank Handle (U-Type)	1
73	SAC1103B-V2-73	Castor Wheel 2"	2
75	SAC1103B-V2-75	Fixed Wheel Set	2
77	SAC1503B-V2-77	Delivery Pipe	1
78	SAC1503B-V2-78	Release Pipe	1

SAC1103B.V2

Item	Part No.	Description	Qty
70	SAC1103B-V2-70	Tank 100ltr	1
71	SAC1503B-V2-71	Tank Handle (U-Type)	1
73	SAC1103B-V2-73	Castor Wheel 2"	2
75	SAC1103B-V2-75	Fixed Wheel Set	2
77	SAC1203B-V2-77	Delivery Pipe	1
78	SAC1203B-V2-78	Release Pipe	1

SAC1153B.V2

Item	Part No.	Description	Qty
70	SAC1153B-V2-70	Tank 150ltr	1
71	SAC1203B-V2-71	Tank Handle (U-Type)	1
73	SAC1203B-V2-73	Castor Wheel 3"	2
75	SAC1203B-V2-75	Fixed Wheel Set (Solid)	2
77	SAC1203B-V2-77	Delivery Pipe	1
78	SAC1203B-V2-78	Release Pipe	1

SAC1203B.V2

Item	Part No.	Description	Qty
70	SAC1203B-V2-70	Tank 200ltr	1
71	SAC1203B-V2-71	Tank Handle (U-Type)	1
73	SAC1203B-V2-73	Castor Wheel 3"	2
75	SAC1203B-V2-75	Fixed Wheel Set (Solid)	2
77	SAC1203B-V2-77	Delivery Pipe	1
78	SAC1203B-V2-78	Release Pipe	1

NOTE: It is our policy to continually improve products and as such we reserve the right to alter data, specifications and component parts without prior notice. There may be alternative versions of this product, please contact us should you require this information.

IMPORTANT: No liability is accepted for incorrect use of product. Spare parts must be fitted by a competent person

WARRANTY: Guarantee is 12 months from purchase date, proof of which will be required for any claim.

Sealey Group, Kempson Way, Suffolk Business Park, Bury St Edmunds, Suffolk. IP32 7AR



01284 757500



sales@sealey.co.uk



www.sealey.co.uk